

Heat completely, uniformly, optimally, without local operator intervention. The K6 Autopilot automatically adjusts the Hydroheater's product flow path as process conditions change to maintain a constant pressure drop across the unit. This results in optimized shear, mixing characteristics, and more effective starch conversion, leading to lower enzyme usage and higher yields.

## How the K6 Autopilot Works

From a digital control system (DCS) or other control package, the K6 Autopilot receives analog 4-20mA signals representing actual differential pressure and the differential pressure setpoint. The K6 Autopilot automatically adjusts the position of the combining tube, as needed, to maintain a constant product pressure drop. The outputs to the DCS are the measured pressure drop, and the combining tube position. The alarm outputs are: analog range alarm, combining tube over travel alarm, and the no movement/reverse movement alarms. These are available locally at the control panel via indicator lights, and also provide output to a DCS as discrete signals.

To change the flow path, the air motor and gear assembly adjust the CTA driveshaft position; this moves the combining tube linearly, thereby adjusting the combining tube to nozzle gap. As the combining tube/nozzle gap is widened, the pressure drop is lowered. As the gap is narrowed or closed, the pressure drop is increased. The pressure drop is measured between the inlet and the discharge of the slurry connections on the Hydroheater.

» Local control panel with inputs for differential pressure transmitter signal, pressure drop set point, and system enable (Auto/Manual).

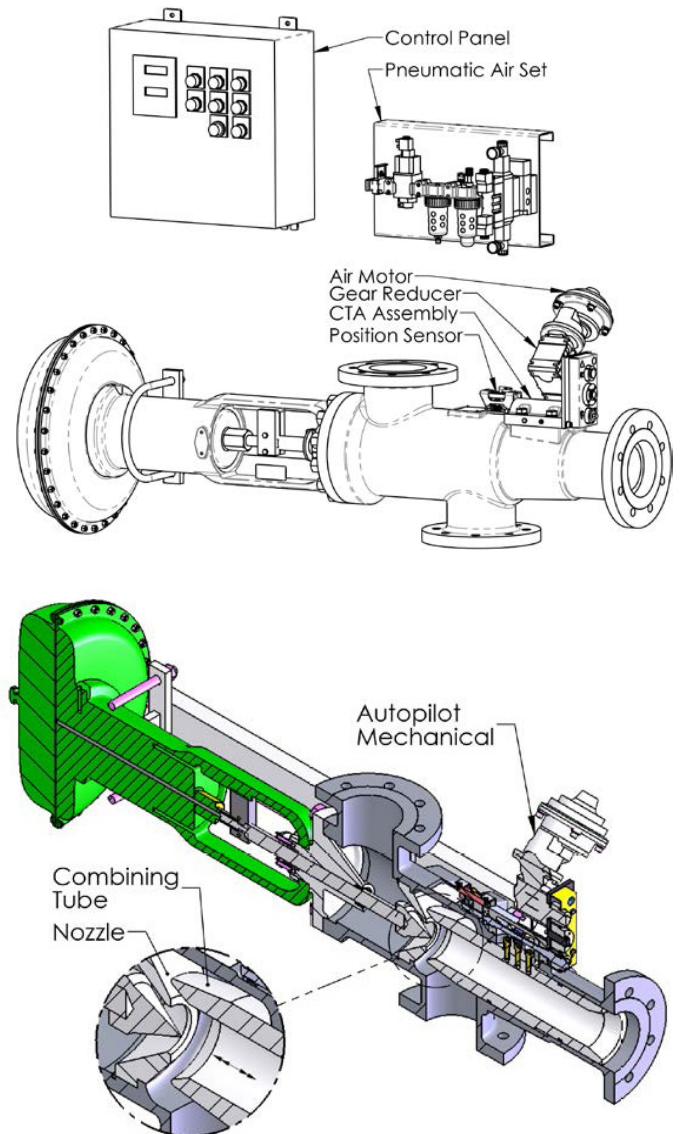
» Local control panel with inputs for differential pressure transmitter signal, pressure drop set point, and system enable (Auto/Manual).

» Local panel displays for measured pressure drop and combining tube position.

» Compatible with K611, K612, K613, K614, K615 and K616 Hydroheaters.

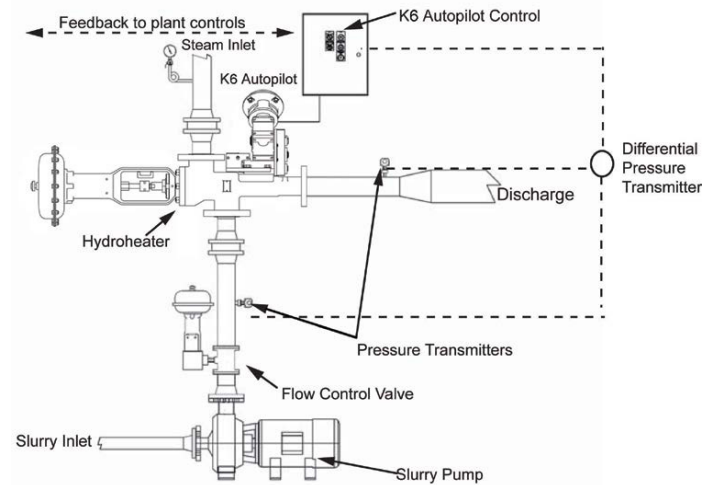
» 100% Performance Warranty.

» Start up assistance available.



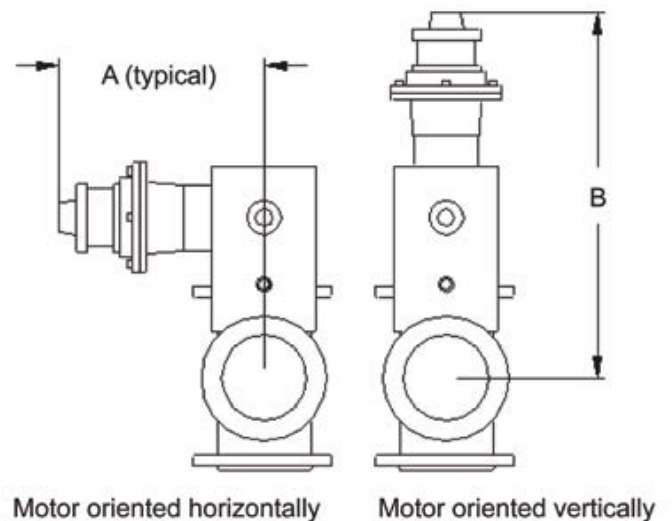
## Standard Construction and Compliances

- » Major components are treated for corrosion resistance.
- » Receives and sends 4-20 mA signals to DCS or other control package.
- » Hydroheater and actuator: See K600 information.
- » Control Panel: Remote mount, NEMA 4X.
- » Compliance standards with: UL, CSA, and NEC.
- » High vibration solution for applications exceeding 5g's available



## Dimensional Drawing

Model	A Inches (cm)	B Inches (cm)
K611	7.63 (19.38)	16.18 (41.10)
K612	7.63 (19.38)	16.18 (41.10)
K613	7.63 (19.38)	16.96 (43.08)
K614	7.63 (19.38)	17.83 (45.29)
K615	7.63 (19.38)	19.15 (48.64)
K616	7.63 (19.38)	19.60 (49.78)



©2019 Hydro-Thermal Corp. All Rights Reserved.  
Hydroheater, Solaris, JetCooker, EZ Heater, and K5 Autopilot are protected under US and foreign patents and are trademarked.

400 Pilot Court | Waukesha, WI 53188  
(262) 548-8900 | (800) 952-0121