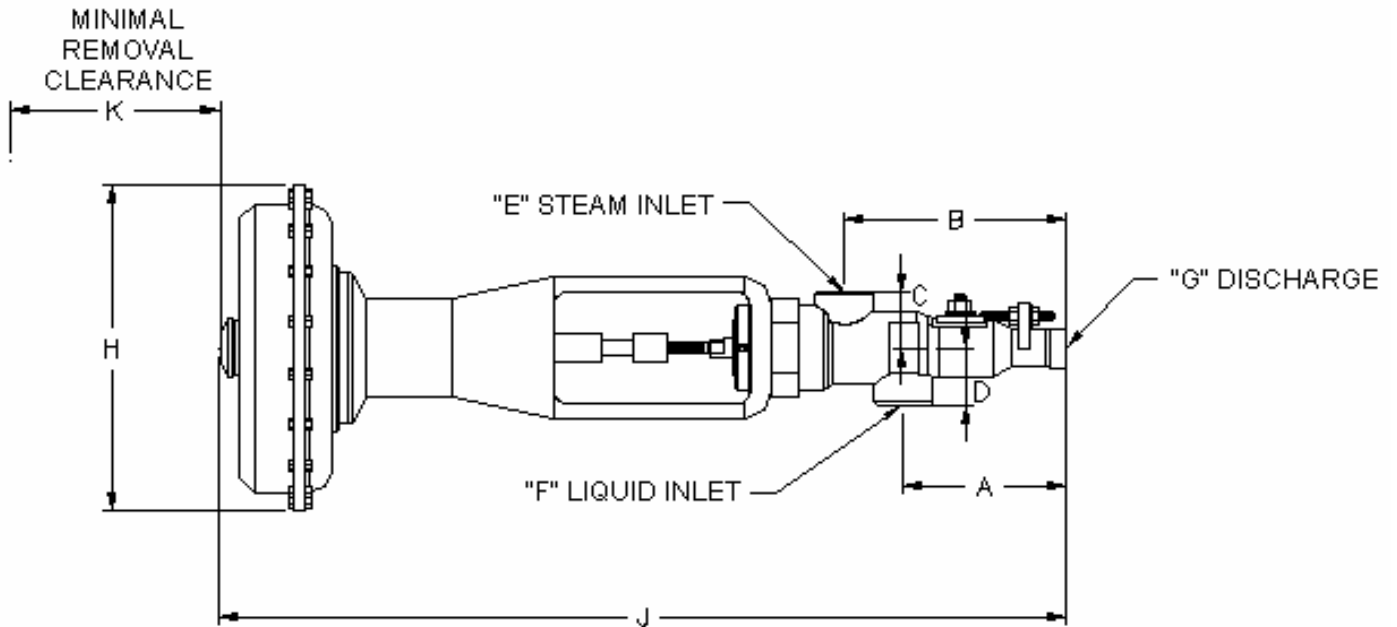


"M" Series Hydroheater



"M" Series Hydroheater with NPT Connections

Dimensions are in inches												
Model	A	B	C	D	E	F	G	H	J	K	Weight	Flow Rate GPM
M103	4 13/16"	6 9/16"	1 1/2"	1 1/2"	3/4" NPT	3/4" NPT	1/8" NPT	8 1/2"	16 5/8"	4"	18 lbs.	1.5-10
M104	4 13/16"	6 9/16"	1 1/2"	1 1/2"	3/4" NPT	3/4" NPT	1/4" NPT	8 1/2"	16 5/8"	4"	18 lbs.	
M105	5 9/16"	7 1/2"	2"	2"	1" NPT	1" NPT	3/8" NPT	11 1/2"	28 13/16"	6"	48 lbs.	2.4-25
M106	5 9/16"	7 1/2"	2"	2"	1" NPT	1" NPT	1/2" NPT	11 1/2"	28 13/16"	6"	48 lbs.	
M107	7 3/8"	10 1/4"	2 1/4"	2 1/4"	1 1/2" NPT	1 1/2" NPT	3/4" NPT	13 1/8"	36 13/16"	8"	72 lbs.	6.5-46
M108	7 3/8"	10 1/4"	2 1/4"	2 1/4"	1 1/2" NPT	1 1/2" NPT	1" NPT	13 1/8"	36 13/16"	8"	72 lbs.	
M109	11 1/8"	15 3/16"	3 3/4"	3 3/4"	2" NPT	2" NPT	1 1/4" NPT	13 1/8"	42 9/16"	9"	116 lbs.	16-138
M110	11 1/8"	15 3/16"	3 3/4"	3 3/4"	2 1/2" NPT	2 1/2" NPT	1 1/2" NPT	13 1/8"	42 9/16"	9"	116 lbs.	